



President-Mark Hetherington - KF5KUW Vice-President-James Hunt - KI5DQ

Secretary-Dixie Binford - N5DJB Treasurer-Sharon McEachern - KI5FHN

Trustee-Dr. Mike Durbin - K5MJD

# Fannin County Amateur Radio Club K5FRC

Volume 12 - DECEMBER 2022

[November MEETING Minutes](#)

\*\*\*

### POPULAR Q SIGNALS

- QRM – man-made interference
- QRN – natural interference
- QRT – stop sending
- QRU – have you anything for me?
- QRV – I am ready
- QSL – I acknowledge receipt
- QSM – repeat last message
- QSN – I heard you
- QSO – a conversation
- QST – general call to all stations
- QSY – change frequency to \_\_\_\_\_

### PRESIDENTS CORNER

President-Mark Hetherington - KF5KUW

As we near the end of our club's activities for 2022, I can't help but look back (with the help of some notes I had taken) on what we accomplished this year, and help our club with preparations for next year. Some of the most noticeable included our club's growing size as we welcomed in new members, our license training classes and the impressive 100% passing rate of their students (which also added new amateur operators into our area), our culinary skills and talents, and all our club events including our first Radio on the Lake out on Lake Texoma.

We started off the year with our new officers taking office, including a couple new bodies. And no, I was not trying cross any line with this, since we did have a young lady who stepped up and was doing a fantastic job as our Secretary, until she met a guy...

But I do wish them both the very best as they have decided to spend the rest of their years together. Now if we can only get her to convince him he needs to get his Amateur Radio license...

Speaking of stepped up (or was that climbed up), was our new Vice President, bringing a new perspective on many things, with an especially strong focus on perfecting our safety knowledge and practices.

*(continued on page 3)*

### K5FRC REPEATERS

- 145.470 (100Hz tone; -600Khz offset) C4FM or Analog; IRLP 3602; ECHOLINK 143903; WIRES 21151; Tuesday Night Net 8:00 PM
- 442.525 (100HZ TONE; +5.0 Mhz offset) C4FM or Analog;
- 443.750 (100Hz tone; +5.0Mhz offset) C4FM or Analog;
- FCARC meets every third Saturday at 9:00 AM at the BOIS D' COWBOY CHURCH
- ZOOM sessions are held every Tuesday at 7:00 PM CST before the net on the 145.470 Mhz repeater.

Website: [www.k5frc.org](http://www.k5frc.org)

### ANTENNA LENGTH CALCULATIONS

Need to calculate antenna length? Try this website: <https://www.easycalculation.com/physics/electromagnetism/antenna-wavelength.php>

TREASURES REPORT

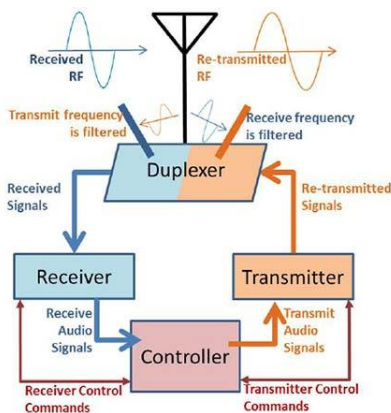
The current balance of the club's checking account is \$4889.87 with one outstanding check of \$30 which will bring the balance to \$4859.87 once deposited. The savings account balance is \$223.92. It is time to pay your 2023 yearly club dues. A yearly individual membership is \$24 and a yearly family membership is \$36. Or, a lifetime membership is only \$375.

Thank you,  
Sharon  
KI5FHN

TRUSTEE ARTICLE

Here is a simplified functional block diagram of a repeater station.

There will be more technical information about K5FRC



repeaters in future articles.

VICE PRESIDENT CORNER

11December2022  
K5FRC Vice-President and Safety  
Officer  
James Hunt - KI5DQ

**10-meter Propagation**

The past weekend hosted the ARRL 10-meter contest. The “general-class” license holder had the joy / privilege on working 28.00 – 28.300 CW and 28.300 – 28.500 USB. The 10-meter band was hopping hot, very good propagation and somewhat congested – a good experience.

Ready to take the HF airwaves? Many good used transceivers are available, not too sure – inquire. The upcoming weekend is our Christmas Dinner.

Next month has two big events:

**ARRL VHF Contest 21-23January**, allowing General Class and higher to operate the amateur radio bands of 50mhz and higher. Providing: 50, 144, 222, 432, 902, 1296 and 2304-and-up frequencies



**Winter Field Day** ( <https://winterfieldday.com> ) We will be holding the event at Lake Bonham. This is another good opportunity for the newbies (and veterans) using HF. No worry on your license class, we will be using the club callsign.

TECHNICIAN COURSE INFO

Coming soon

\*\*\*

FUN STUFF

The forward power is 50 watts and the reverse power is 4 watts.

What is the

$$VSWR = \frac{1 + \sqrt{\frac{P_{rev}}{P_{fwd}}}}{1 - \sqrt{\frac{P_{rev}}{P_{fwd}}}}$$

Where P<sub>rev</sub> = reverse power  
P<sub>fwd</sub> = forward power

VSWR?

Check your answer with the calculator at

<http://rfcalculator.mobi/vswr-forward-reverse-power.html>

ANOTHER LITTLE TRIVIA

A ham operator says “let’s QSY up 100 kilohertz.” The other station responds with “QSL.” What just took place?

Where did the term “ham operator” originate?

The use first appeared in the United States during the opening decade of the 20th century—for example, in 1909, Robert A. Morton reported overhearing an amateur radio transmission which included the comment: "Say, do you know the fellow who is putting up a new station out your way? I think he is a ham." However, the term did not gain widespread usage in the United States until around 1920, after which it slowly spread to other English-speaking countries. From [Wikipedia.org](https://en.wikipedia.org/wiki/Ham_radio)

ANTENNA LENGTH CALCULATIONS

Need to calculate antenna length?

Try this website:

<https://www.easycalculation.com/physics/electromagnetism/antenna-wavelength.php>

## PRESIDENTS CORNER

(Continued from page 1)

... And for a few months, he worked to bring back to life his old boat to use for our Radio on the Lake event, and each week during our Tuesday night net was being held accountable for his commitments on all the steps and tasks that he ended up needing to complete in order for this to happen. But that's all skipping ahead...

Our club's first event was Winter Field Day, which we held out at the Lake Bonham Pavilion. It was a huge success, with a lot of fun and socializing by all. Best of all, and it was a very close contest, having a tie between two of our contestant's entries, which resulted in a tie-breaker to ultimately declare our first Annual Chili Cookoff winner. In fact, this part of our event was so successful, we are bringing it back as an annual part of our WFD activities. And this next year, all our chili entries will ultimately become part of our chili dog dinner. And after everyone stuffed themselves with all our food and desserts, some of us actually worked some HF contacts. When WFD was done, we had successfully QSO'ed with more than 2/3rds of our ARRL sections throughout our states, along with some provinces in Canada, as well as Puerto Rico. And, with the HF band conditions having improved tremendously over this year, our 2023 WFD results should (fingers crossed) give us the opportunity to reach all of these sections and states, plus who knows what DX stations we might also be able to get into our logs.

Radio on the Lake was a blast! We made some great contacts, with many of our contacts making their first marine mobile contact. And for that splash of style, none of us were as prominent as Ralf, with his beach umbrella, chair, cooler, and self-contained radio. James had a pop-up canopy set up low over an existing concrete picnic table, giving him better shade, and his antenna was placed into the lake to improve the ground plane. And Mike showed off easy and convenient, with his setup on his pontoon boat. Those mobile Hustler HF antennas worked great! And when the daytime temperature got to be too much for some of us (me!), we packed it up and called it a day. And everyone who was out there agree we need to do this every year, but maybe a month or two earlier than June...

And this brought us to our ARRL Field Day event, which we held at the Bois d'Arc Creek Cowboy Church. We had several radios set up and operating, but like Winter Field Day, we had a blast socializing and eating a wonderful dinner together. Something about our events and food... they seem to go hand in hand...

Throughout the year, we had presentations on different topics to help each other become more aware and knowledgeable on things pertaining to amateur radio. I made a presentation on APRS, which brought a lot more awareness of this neat and very useful use tool we have available. Along with this, now more folks better understand why the club maintains a couple of APRS Digipeaters, to help better cover our local area.

Taking a lesson from 2021, our October meeting was held out in Caddo National Grasslands in the Lake Coffee Mill campground. We got the chance to show off our go-box ideas for a readily portable amateur operation in case of an emergency. There were many different ideas shown, and all of them demonstrated the versatility of what we can put together for this important need.

And now it is time for us to have our December meeting. We get to elect our officers for the 2023 year, eat some great food at the Windom Feed Sack, listen to some (static) important information from our current officers, and have fun winning door prizes and socializing one last time before the holidays.

It's been a pleasure serving as your President this year. I know I am looking forward to what we can do and learn next year.

Mark